

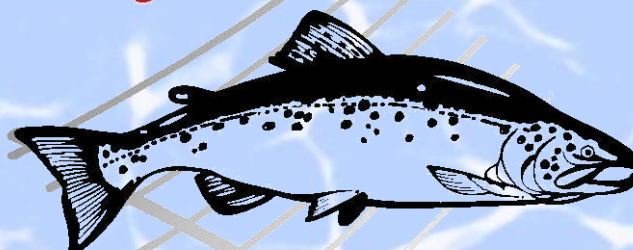
Easy Matic 10 - Pinbone Remover

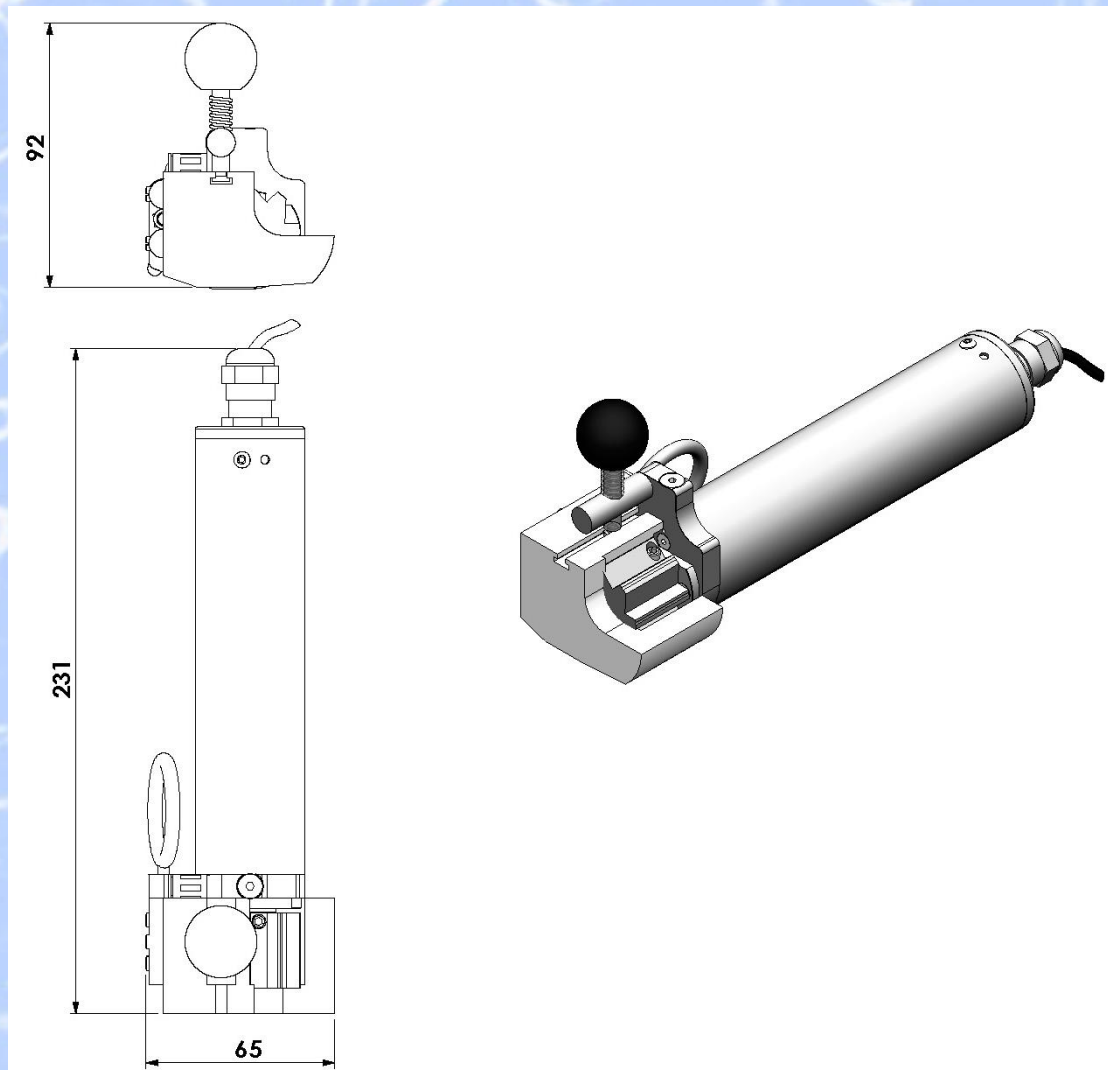


Tiny and smart hand held pinbone remover developed on the same principles as the well-known EASY-MATIC pinbone removers.

Easy Matic 10 is ideal for Fish Shops and processors with minor demand for pinbone removing, as well as checking / removing the last couple of pinbones after the pinbone removers.

Kaj Olesen A/S





The capacity: 4 filets per min.

Water-pressure: 2 Bar

Power: 1x110-240V I 50/60Hz I 0,8A

Kaj Olesen A/S

