

Easy Matic 104 Pinbone Remover

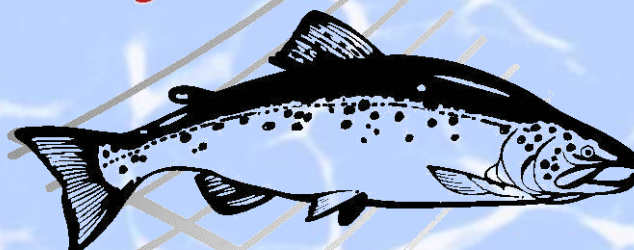


Easy Matic pinbone remover is designed to remove as many pinbones as possible without damaging the fillet, and thereby lowering the waste.

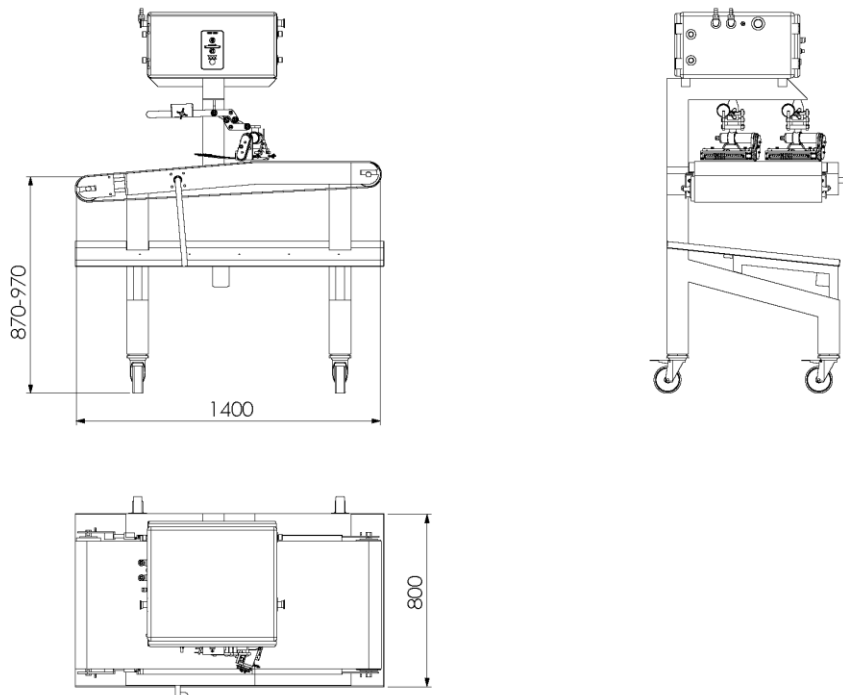
TWP has two de-boning heads aligned on to the conveyor belt and therefore it takes out more pinbones at the start of the fillet.

The capacity on the machine is about 700 – 1500 kg fillets per hour.

Kaj Olesen A/S



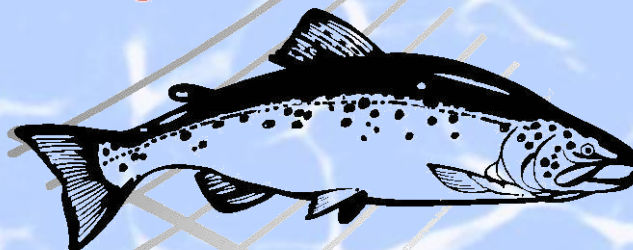
Nymindegabvej 351 - 6830 Nørre Nebel, Denmark Tel: +45 75 28 77 01
E-mail: Info@kajolesen.dk Website: www.kajolesen.com



Water-pressure: min. 3 bar

Power: 1x220-240V / 50-60 Hz / 2A

Kaj Olesen A/S



Nymindegabvej 351 - 6830 Nørre Nebel, Denmark Tel: +45 75 28 77 01
E-mail: Info@kajolesen.dk Website: www.kajolesen.com