

## ***EASY-MATIC 54 Pinbone remover***

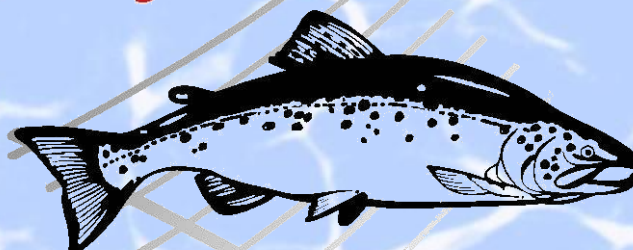


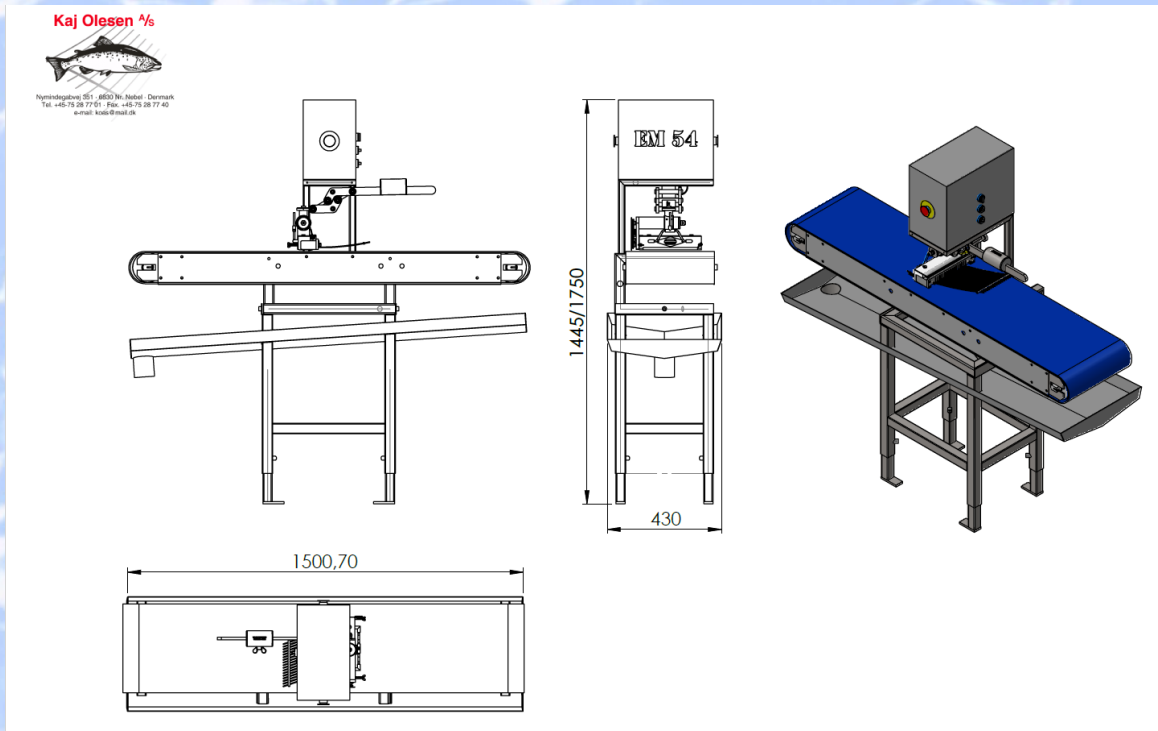
Easy Matic pinbone remover is designed to remove as many pinbones as possible without damaging the fillet, and thereby lowering the waste.

TWP has two de-boning heads aligned on to the conveyor belt and therefore it takes out more pinbones at the start of the fillet.

The capacity on the machine is about 350 – 700 kg fillets per hour.

## **Kaj Olesen A/S**



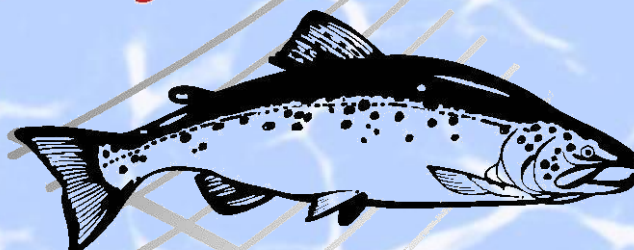


Standard weight is 55 kg, which makes it easy to move around.

Water pressure: 3 bar

Power: 1x220-240V / 50-60 Hz / 2A

# Kaj Olesen A/S



Nymindesgabvej 351 - 6830 Nørre Nebel, Denmark Tel: +45 75 28 77 01  
E-mail: [Info@kajolesen.dk](mailto:Info@kajolesen.dk) Website: [www.kajolesen.com](http://www.kajolesen.com)