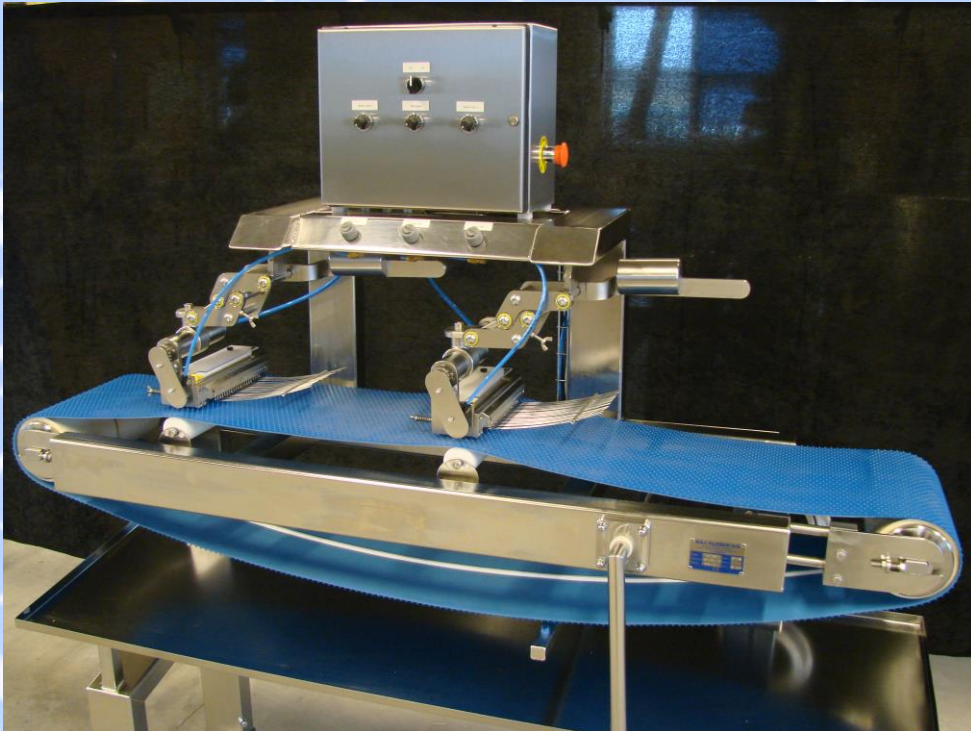


TWP 54 – Pinbone Remover

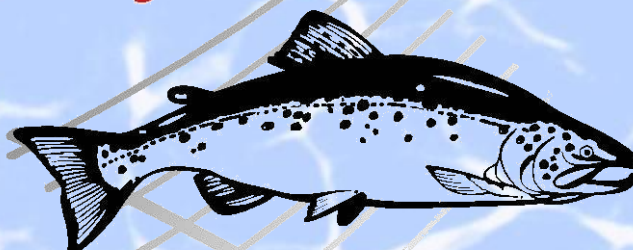


Easy Matic pinbone remover is designed to remove as many pinbones as possible without damaging the fillet, and thereby lowering the waste.

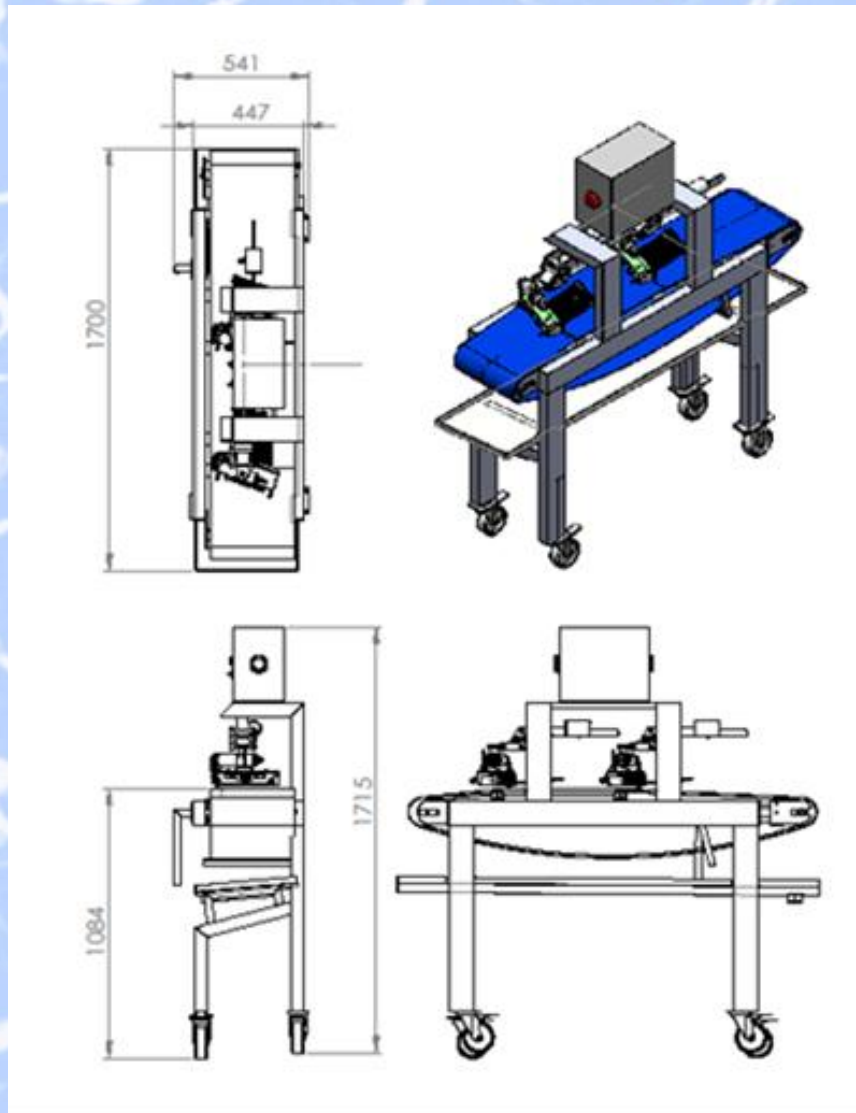
TWP has two de-boning heads aligned on to the conveyor belt and therefore it takes out more pinbones at the start of the fillet.

The capacity on the machine is about 350 – 700 kg fillets per hour.

Kaj Olesen A/S



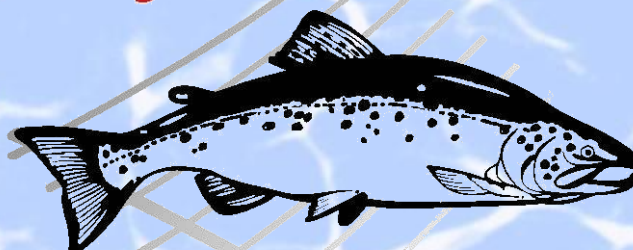
Nymindegabvej 351 - 6830 Nørre Nebel, Denmark Tel: +45 75 28 77 01
E-mail: Info@kajolesen.dk Website: www.kajolesen.com



Water-pressure: 3 bar

Power: 1x220-240V / 50-60 Hz / 2A

Kaj Olesen A/S



Nymindesvej 351 - 6830 Nørre Nebel, Denmark Tel: +45 75 28 77 01
E-mail: Info@kajolesen.dk Website: www.kajolesen.com