

# ***Easy Matic 204 pinbone Remover***

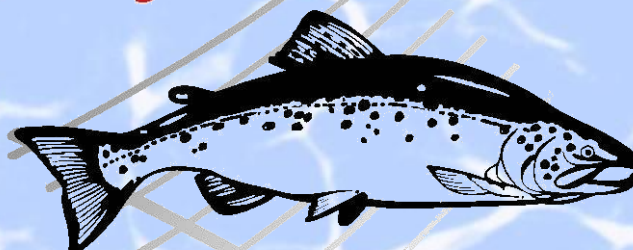


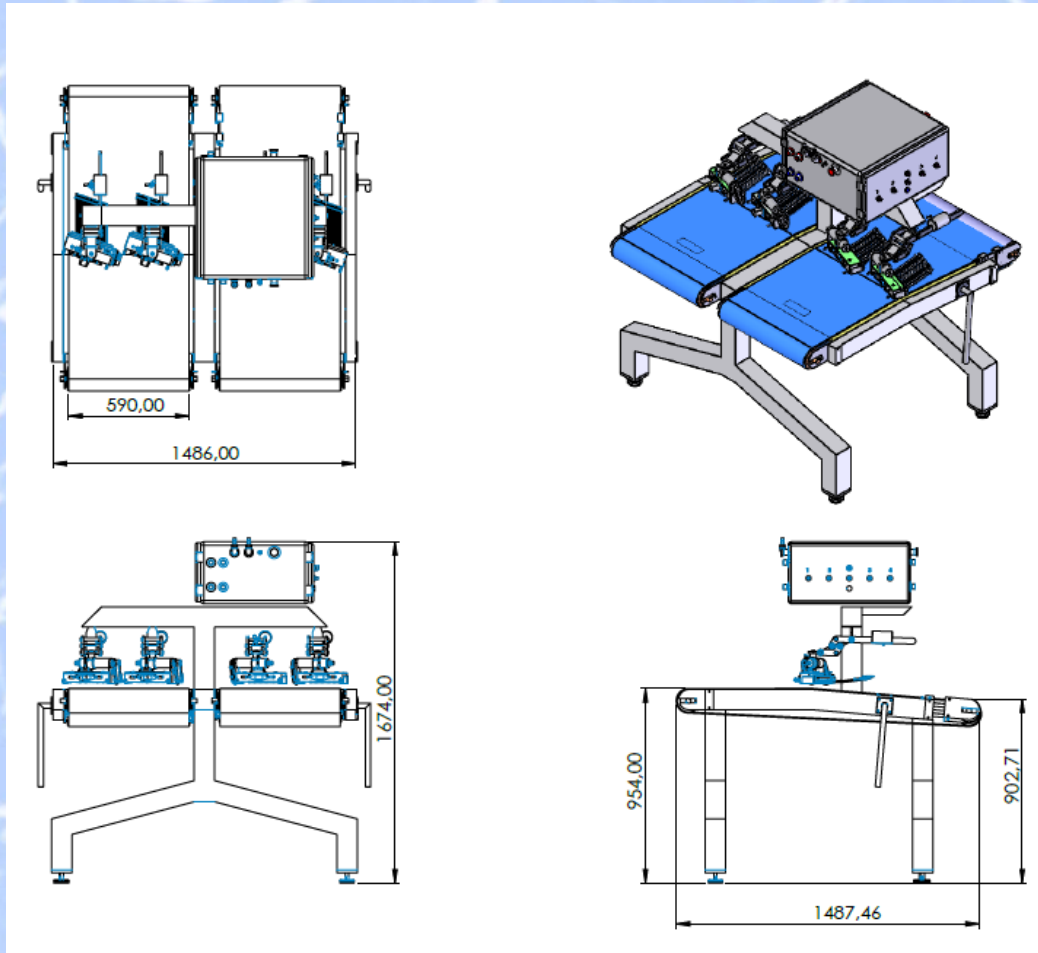
Easy Matic pinbone remover is designed to remove as many pinbones as possible without damaging the fillet, and thereby lowering the waste.

TWP has two de-boning heads aligned on to the conveyor belt and therefore it takes out more pinbones at the start of the fillet.

The capacity on the machine is about 1500 – 3000 kg fillets per hour.

## **Kaj Olesen A/S**

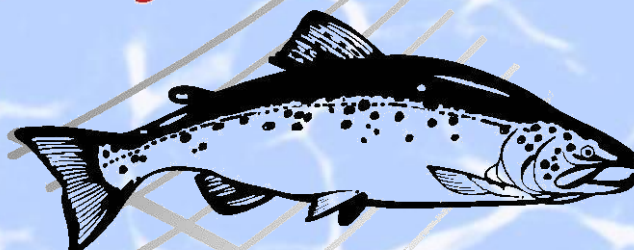




Water-pressure: min. 3 bar

Power: 1x220-240V / 50-60 Hz / 2A

**Kaj Olesen A/S**



Nymindesvej 351 - 6830 Nørre Nebel, Denmark Tel: +45 75 28 77 01  
E-mail: [Info@kajolesen.dk](mailto:Info@kajolesen.dk) Website: [www.kajolesen.com](http://www.kajolesen.com)