

## ***TWP 104 – Pinbone Remover***

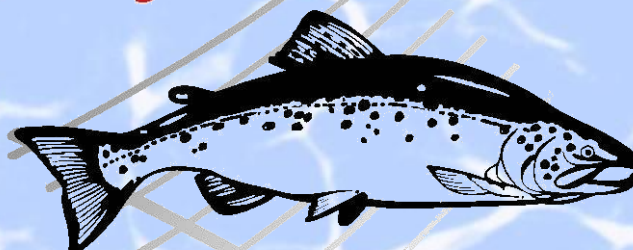


Easy Matic pinbone remover is designed to remove as many pinbones as possible without damaging the fillet, and thereby lowering the waste.

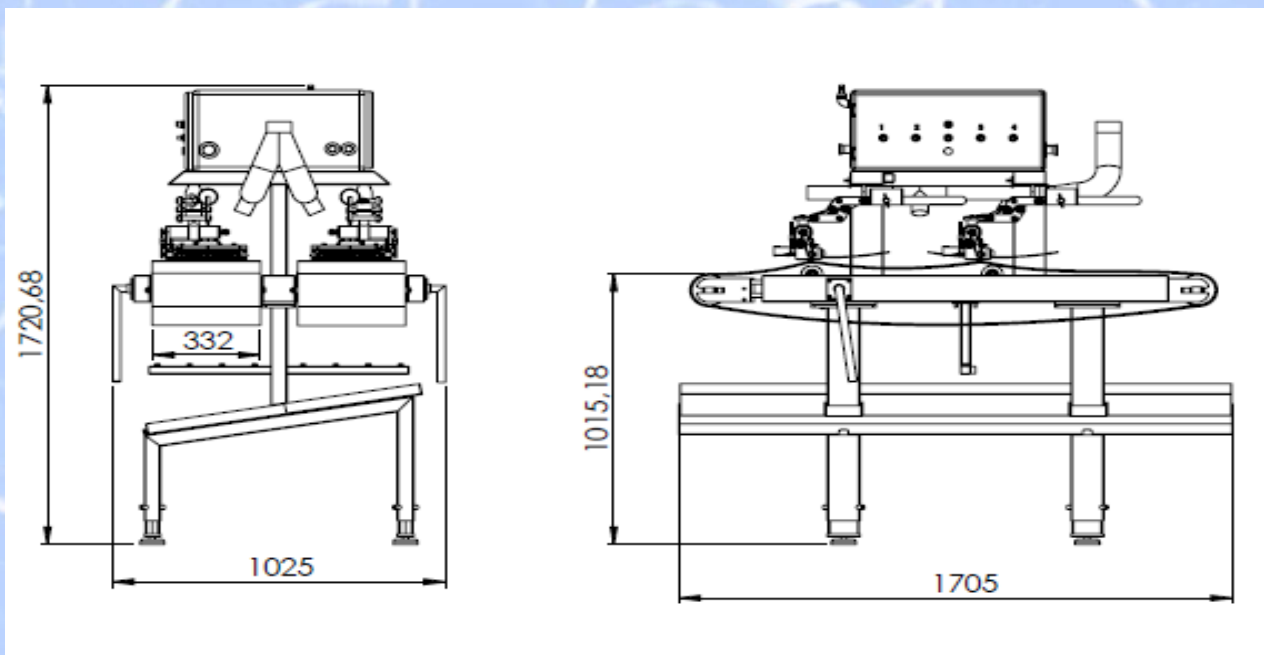
TWP has two de-boning heads aligned on to the conveyor belt and therefore it takes out more pinbones at the start of the fillet.

The capacity on the machine is about 700 – 1500 kg fillets per hour.

## **Kaj Olesen A/S**



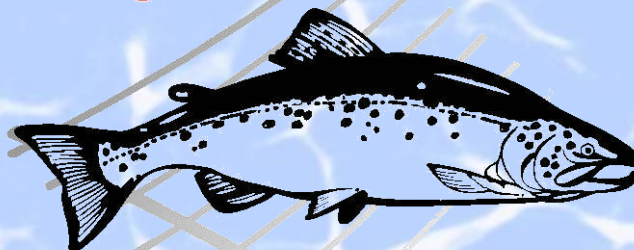
Nymindesgabvej 351 - 6830 Nørre Nebel, Denmark Tel: +45 75 28 77 01  
E-mail: [Info@kajolesen.dk](mailto:Info@kajolesen.dk) Website: [www.kajolesen.com](http://www.kajolesen.com)



Water-pressure: min 3 bar

Power: 1x220-240V / 50-60 Hz / 2A

**Kaj Olesen A/S**



Nymindegabvej 351 - 6830 Nørre Nebel, Denmark Tel: +45 75 28 77 01  
E-mail: [Info@kajolesen.dk](mailto:Info@kajolesen.dk) Website: [www.kajolesen.com](http://www.kajolesen.com)